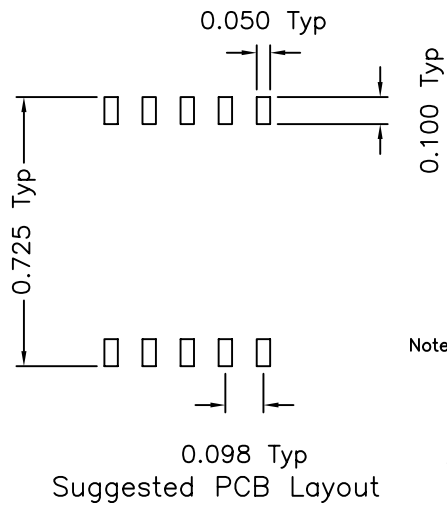
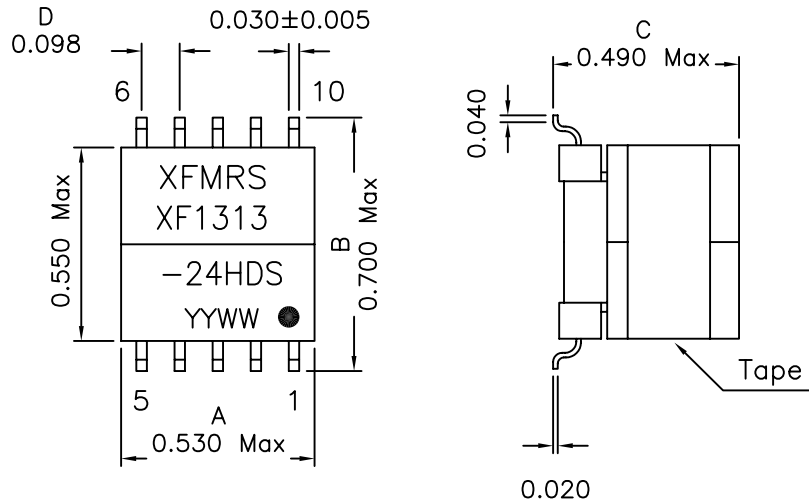


1. Dimensions:

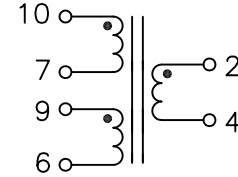


Notes:

1. Solderability: Leads shall meet MIL-STD-202, Method 208D for solderability.
2. Flammability: UL94V-0
3. ASTM oxygen index: > 28%
4. Insulation System: Class F 155°C. UL file E151556
5. Operating Temperature Range: -40°C to +85°C
6. Storage Temperature Range: -55°C to +125°C
7. Aqueous wash compatible
6. UL1950 approved to Supplementary Insulation requirements for a working voltage up to 300V, file #E165866.

DOC. REV A/3

2.Schematic:



3.Electrical Specifications: @25°C

PIN10-6 OCL: 2.0mH ±6% @10KHz 0.1V
(CONNECT PIN7-9)

PIN10-6 LL: 11uH Max @100KHz 100mV
(CONNECT PIN2-4, PIN7-9)

URNS RATIO: 10-6:2-4 = 2CS:1±1%

DC Res.: P10-7 1.10±10% Ohms

DC Res.: P9-6 1.10±10% Ohms

DC Res.: P2-4 0.785±10% Ohms

THD: -70dB Min. @40KHz, 14dBm

RETURN LOSS: 16.5dB Min. @40KHz-300KHz

INSERTION LOSS: 0.5dB Max @300KHz

L.B.: 50dB Min. @300Hz-300KHz w/P2 @Gnd

FREQ RESP: ±1.0dB, 40KHz-300KHz

ISOLATION VOLTAGE: 1500Vac (Chip to Line)

XFMRS Inc	Title: HDSL TRANSFORMER		
	UNLESS OTHERWISE SPECIFIED TOLERANCES: .xxx ±0.010 Dimensions in INCH	P/N: XF1313-24HDS	REV. A
	DWN.	廖玉坤	Oct-08-03
	CHK.	李清儿	Oct-08-03
	APP.	Joe Huff	Oct-08-03